

7160

Electric Strike for Single Leaf Aluminium Doors



Function

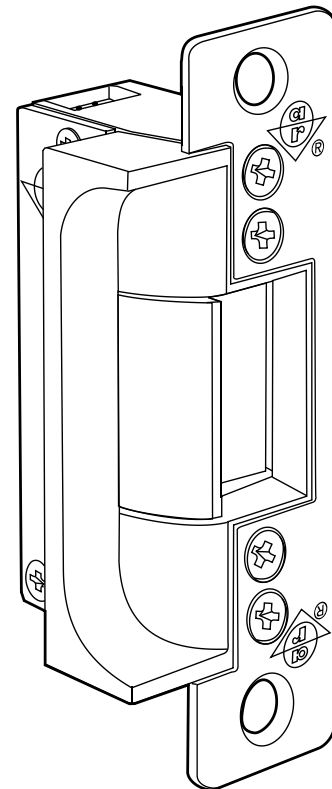
For remote access control of any narrow stile aluminium door and will accommodate a latch throw of up to 19.05mm. Electrical actuation unlocks the strike jaw, releasing the latchbolt so the door can be opened without operating the latch itself. The compact mechanism fits into a hollow jamb section as shallow as 47mm.

For aluminium jambs opposite 940 Exit Devices, specify the 7108 Series (see page 8).

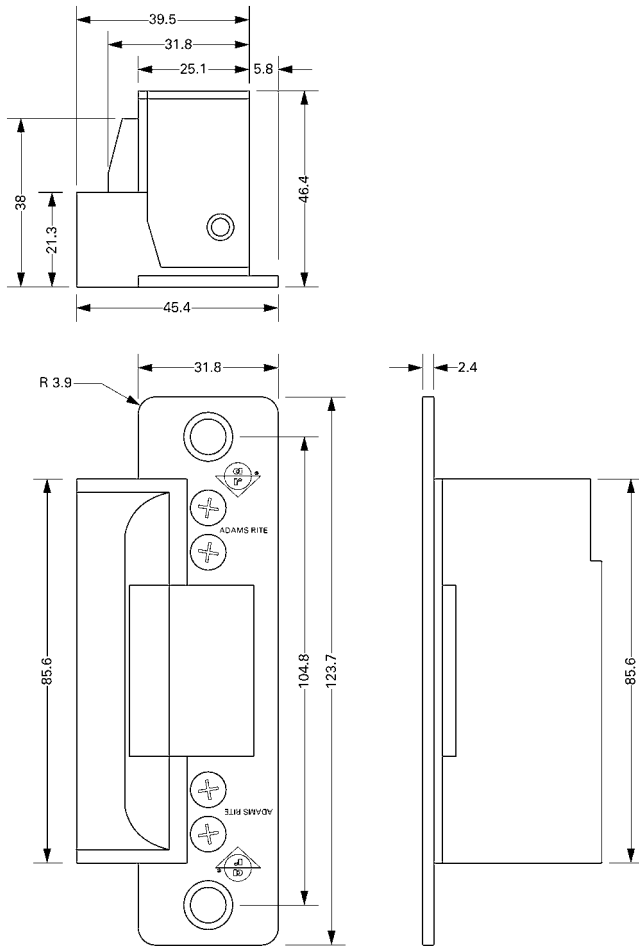
Note: For maximum security specify an MS® Deadlock in conjunction with the electric strike/latch combination.

Specifications

Current Draw:	12vAC=1.48A, 12vDC=0.332A, 24vAC=0.74A, 24vDC=0.19A (nominal). DC intermittent and continuous units are silent, AC intermittent units "buzz" on operation.
Voltage Tolerance:	±10%.
Powered By:	Internal solenoid.
Monitoring:	(Optional) Single: Latch only, Double: Latch & solenoid.
Duty:	Fail-safe or fail-secure (convertible without additional parts). DC power supply required for fail-safe operation.
Jaw Strength:	907kg (2000lbs).
Case:	85.6mm x 31.8mm x 46.4mm. Zinc aluminium alloy.
Mechanism:	Stainless steel internal blocking mechanism.
Strike Opening:	36.5mm x 19.1mm x 19.1mm. Stainless steel bolt retainer jaw.
Door Gap:	Minimum 3mm (1/8"), operational door gap 3-5mm.
Faceplate:	Aluminium. 123.7mm x 31.8mm. Flat.
Finishes:	See ordering codes.
Subcover:	Basic subcover lip will suit a 44.45mm (1 3/4") thick door that closes flush with jamb edge. For extended bolt-on subcovers see ordering codes.
Standards:	ANSI/BHMA 156.5 Grade 1. UL Listed for burglary resistance.



Dimensions



Ordering Codes Matrix

7160 - 3 1 0 - 628 - 1

- Model Number**
7160 Flat
- Voltage**
3 12 volt
5 24 volt
- Current and Duty**
1 DC Continuous or intermittent
4 AC Intermittent (fail-secure only)
- Features**
0 Standard/Fail-Secure
5 Standard/Fail-Safe
7 Monitored/Fail-Safe
9 Monitored/Fail-Secure
- Finish**
628 Satin Aluminium
605 Bright Brass
612 Satin Bronze
613 Oil Bronze
313 Bronze
335 Black
- Options**
1 Single Monitoring (Latch only)
2 Double Monitoring (Latch and Solenoid)

Subcover Extension Codes (order separately)

Order Code	Dimension*	Order Code	Dimension*
91-0172-01	38.1mm (1.50")	91-0172-08	60.5mm (2.38")
91-0172-02	41.4mm (1.63")	91-0172-09	63.5mm (2.50")
91-0172-03	44.5mm (1.75")	91-0172-10	66.8mm (2.63")
91-0172-04	47.8mm (1.88")	91-0172-11	69.9mm (2.75")
91-0172-05	50.8mm (2.00")	91-0172-12	73.2mm (2.88")
91-0172-06	54.1mm (2.13")	91-0172-13	76.2mm (3.00")
91-0172-07	57.2mm (2.25")		

*Dimension from door centreline to jamb edge.

Related Hardware

RiteKey Keypad (p54) ~ Push-to-Exit Button (p56) ~ Power Supply Unit (p58)